

CL.1 Five-hole bath mixer for deck mounting with diverter - Brushed Dark Platinum

CL.1




ST 030 100 1705



- 200mm projection
 - rectangular spray pattern with 55 individual jets
 - Hand shower: COMPACT RAIN, max. flow rate 6.8 l/min (at 3 bar)
 - height of mixer 125 mm
 - height up to aerator 108 mm
 - 1/2" connection
 - complete hand shower set with anti-scale system
 - hole diameter spout 35 mm
 - hole diameter valve 32 mm
 - rosette for complete hand shower set 60 x 60mm
 - rosette for deck valve 60 x 60mm
 - metal shower hose 2250mm with integrated anti-twist protection
- Intrinsic protection against back flow.**

Individual components of this set

You need the following components for this set

 1x 13 612 705-99	 1x 20 000 705-99
 1x 20 000 706-99	 1x 27 702 980-99
 1x 29 126 705-99	



CL.1 Five-hole bath mixer for deck mounting with diverter - Brushed Dark
Platinum

CL.1

ST 030 100 1705

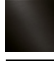
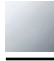


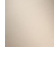

CL.1 Five-hole bath mixer for deck mounting with diverter - Brushed Dark Platinum

CL.1

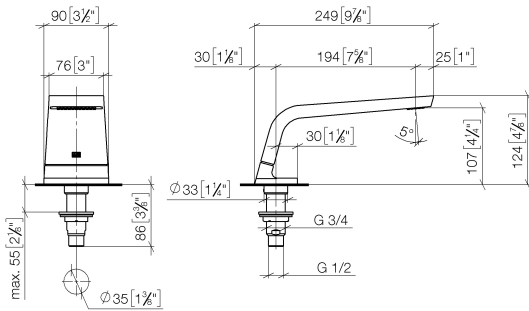
ST 030 100 1705



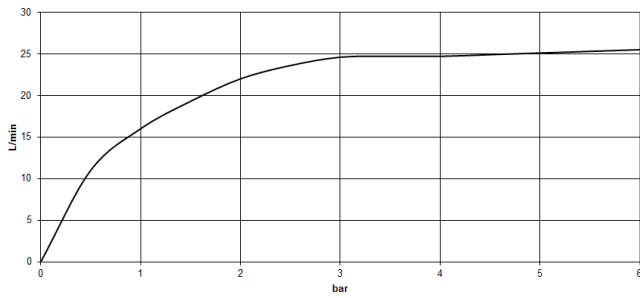
- 200mm projection
- rectangular spray pattern with 55 individual jets
- height of mixer 125 mm
- height up to aerator 108 mm
- hole diameter 35 mm
- 1/2" connection
- max. flow 24.6 l/min at 3 bar flow pressure

	Brushed Dark Platinum	13 612 705-99
	Chrome	13 612 705-00
	Brushed Platinum	13 612 705-06
	Dark Chrome	13 612 705-19
	Brushed Champagne (22kt Gold)	13 612 705-46
	Champagne (22kt Gold)	13 612 705-47

ST 030 100 1705
mm [inches]



Flow rate chart



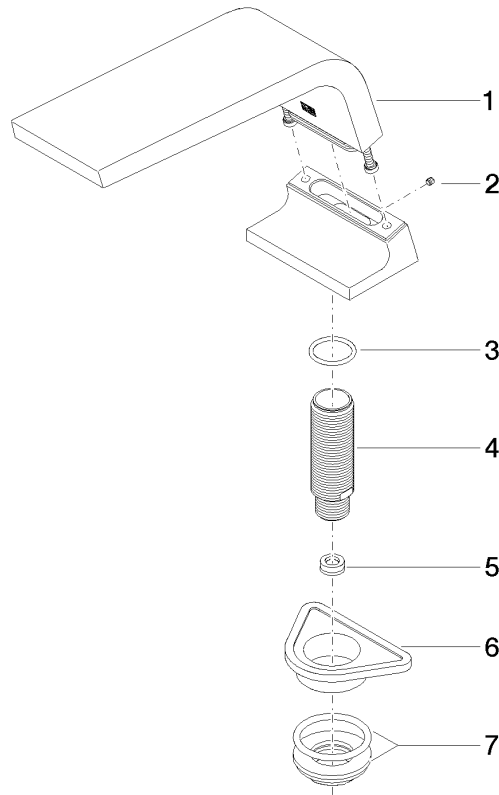
Certificates

WRAS_1512010.

LGA_28684.

IAPMO_4976 (4).

ST 030 100 1705
Parts for other
finishes can be found
here: [Chrome](#)



Spare parts list

No.	Item Number	Name	Quantity used	Delivery time
1	90 11 70 007 00-99	spout	1	-
Spare part can no longer be ordered, please order the replacement item				
2	09 31 11 099 90	pin	1	2
3	09 14 10 009 90	seal	1	2
4	09 30 01 117 90	connection	1	2
5	09 23 01 057 90	flow reducer	1	2
6	09 18 40 090 90	sleeve	1	2
7	04 23 10 004 03 90	fixing set	1	2

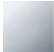

CL.1 Five-hole bath mixer for deck mounting with diverter - Brushed Dark Platinum

CL.1

ST 030 100 1705

- hole diameter valve 32 mm
- rosette 60 x 60 mm
- with cold marking



	Brushed Dark Platinum	20 000 705-99
	Chrome	20 000 705-00
	Brushed Platinum	20 000 705-06
	Dark Chrome	20 000 705-19
	Brushed Champagne (22kt Gold)	20 000 705-46
	Champagne (22kt Gold)	20 000 705-47

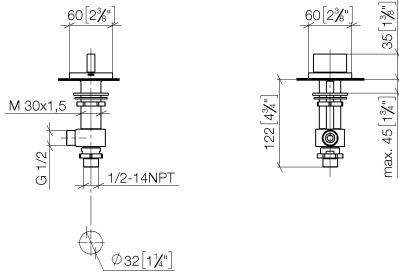


CL.1 Five-hole bath mixer for deck mounting with diverter - Brushed Dark
Platinum

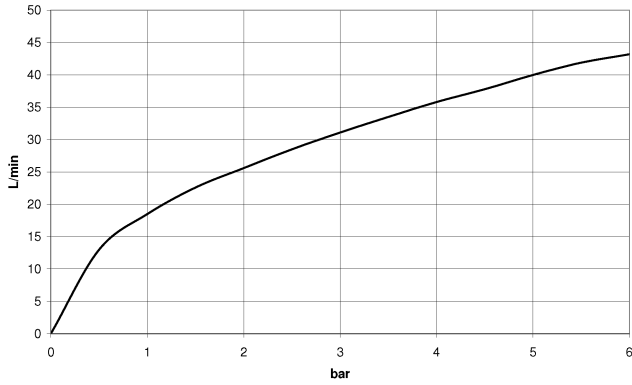
CL.1

ST 030 100 1705

ST 030 100 1705
mm [inches]



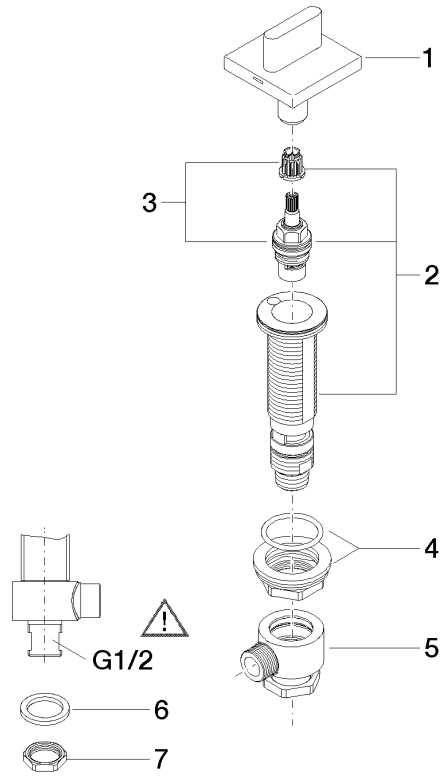
Flow rate chart



Certificates

WRAS_2103001. LGA_28688. IAPMO_4976 (4).

ST 030 100 1705
Parts for other
finishes can be found
here: Chrome



Spare parts list

No.	Item Number	Name	Quantity used	Delivery time
1	90 20 70 051 04-99	handle (cold)	1	30
2	04 17 11 058 33 90	side panel	1	2
3	90 90 03 133 00 90	top	1	2
4	04 23 10 032 78 90	fixing set	1	2
5	04 17 11 023 10 90	distributor	1	2
6	90 23 30 040 00-99	threaded connector	1	30
7	09 30 11 059 90	disc	1	2
8	09 23 10 012 90	nut	1	2

CL.1 Five-hole bath mixer for deck mounting with diverter - Brushed Dark Platinum

CL.1

ST 030 100 1705

- hole diameter valve 32 mm
- rosette 60 x 60 mm
- with hot marking



	Brushed Dark Platinum	20 000 706-99
	Chrome	20 000 706-00
	Brushed Platinum	20 000 706-06
	Dark Chrome	20 000 706-19
	Brushed Champagne (22kt Gold)	20 000 706-46
	Champagne (22kt Gold)	20 000 706-47

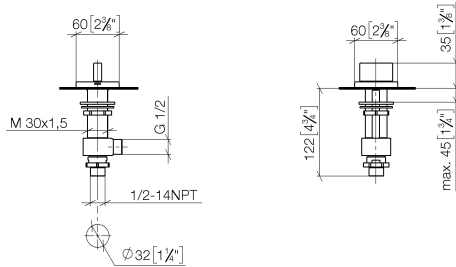


CL.1 Five-hole bath mixer for deck mounting with diverter - Brushed Dark
Platinum

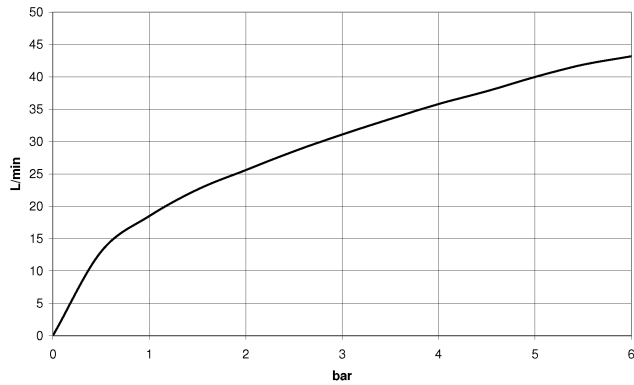
CL.1

ST 030 100 1705

ST 030 100 1705
mm [inches]



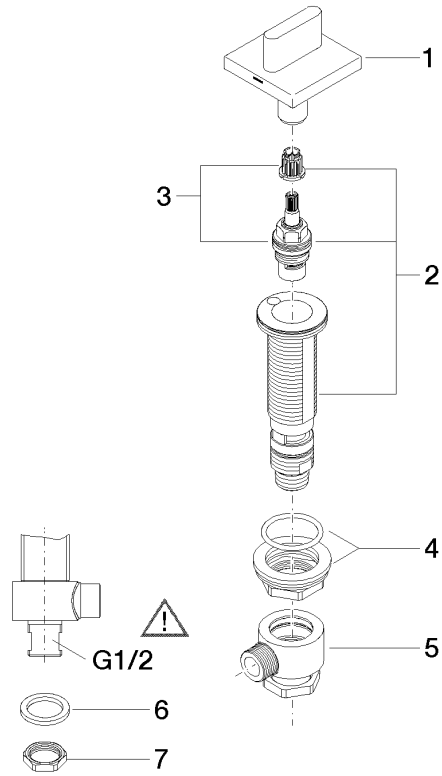
Flow rate chart



Certificates

WRAS_2103001. LGA_28688. IAPMO_4976 (4).

ST 030 100 1705
Parts for other
finishes can be found
here: Chrome



Spare parts list

No.	Item Number	Name	Quantity used	Delivery time
1	90 20 70 051 05-99	handle (hot)	1	30
2	04 17 11 058 32 90	side panel	1	2
3	90 90 03 132 00 90	top	1	2
4	04 23 10 032 78 90	fixing set	1	2
5	04 17 11 023 10 90	distributor	1	2
6	90 23 30 040 00-99	threaded connector	1	30
7	09 30 11 059 90	disc	1	2
8	09 23 10 012 90	nut	1	2

CL.1 Five-hole bath mixer for deck mounting with diverter - Brushed Dark Platinum

CL.1

ST 030 100 1705



Fits: IMO, MEM, CL.1, CYO

- COMPACT RAIN, max. flow rate 6.8 l/min (at 3 bar)
- with anti-scale system
- rosette 60 x 60 mm
- hole diameter 32 mm
- metal shower hose 2250mm with integrated anti-twist protection

Two-piece design allows hose to later be changed without dismantling the fitting.

Intrinsic protection against back flow.

	Brushed Dark Platinum	27 702 980-99
	Chrome	27 702 980-00
	Brushed Platinum	27 702 980-06
	Platinum	27 702 980-08
	Dark Chrome	27 702 980-19
	Brushed Durabronze (23kt Gold)	27 702 980-28
	Matte Black	27 702 980-33
	Brushed Champagne (22kt Gold)	27 702 980-46
	Champagne (22kt Gold)	27 702 980-47
	Brushed Chrome	27 702 980-93

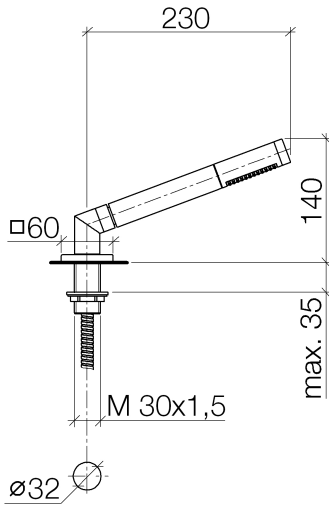


CL.1 Five-hole bath mixer for deck mounting with diverter - Brushed Dark
Platinum

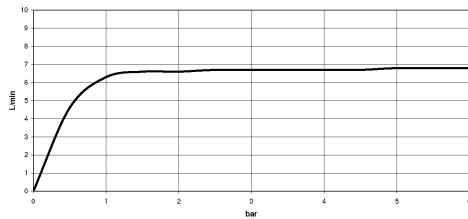
CL.1

ST 030 100 1705

ST 030 100 1705



Flow rate chart



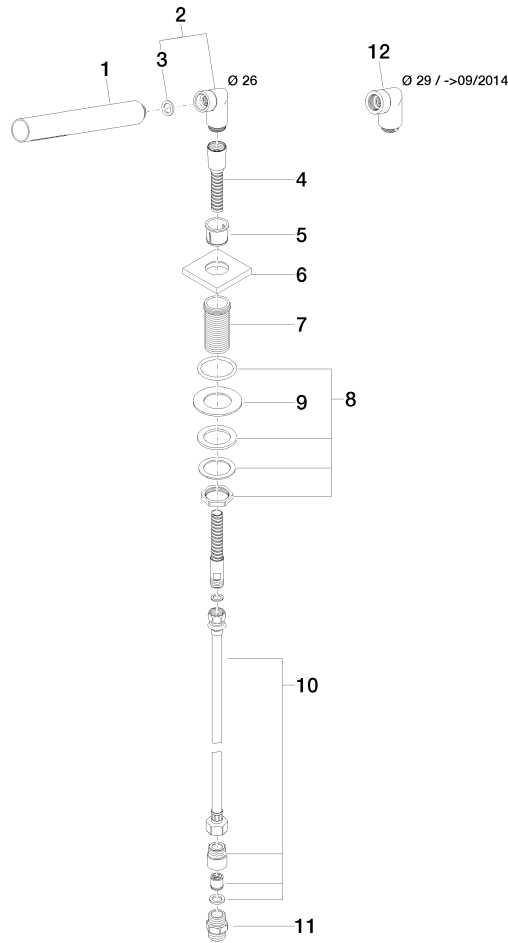
Certificates

Belgaqua_21-383- WRAS_2209005. IAPMO_4976 (4).
27_8.

CL.1 Five-hole bath mixer for deck mounting with diverter - Brushed Dark Platinum

CL.1

ST 030 100 1705
Parts for other finishes can be found here: Chrome



Spare parts list

No.	Item Number	Name	Quantity used	Delivery time
1	90 12 11 140 30-99	shower	1	30
2	04 24 04 287 00-99	nipple	1	30
3	90 14 20 002 00 90	seal	1	2
4	28 322 970-99	Metal shower hose 1/2" x 3/8" x 1750 mm - Brushed Dark Platinum	1	2
5	90 18 40 085 00 90	sleeve	1	2
6	09 27 68 003-99	rosette	1	30
7	09 30 01 090-07	sleeve	1	30
8	04 23 10 032 46 90	fixing set	1	2
9	09 30 11 060 90	disc	1	2
10	12 505 970 90	High pressure hose 1/2" x 3/8" x 500 mm -	1	2
11	90 24 03 168 00 90	nipple	1	2
12	04 24 04 187 00-99	nipple	1	-

Spare part can no longer be ordered, please order the replacement item

CL.1 Five-hole bath mixer for deck mounting with diverter - Brushed Dark Platinum

CL.1

ST 030 100 1705



- rotary diverter
 - hole diameter 37 mm
 - rosette 60 x 60 mm
 - 1/2" connection
 - max. flow 23.5 l/min at 3 bar flow pressure
- Not suitable for combining with Perfecto (12 614 970 90).**

Not suitable for combining with Perfecto (12 614 970 90).

Required miscellaneous



Hose set -

12 509 970 90

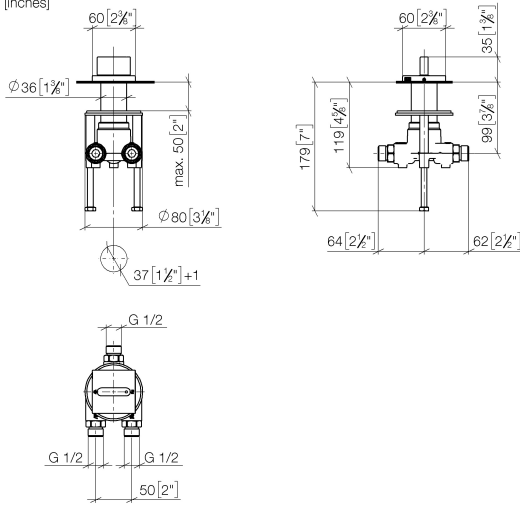


CL.1 Five-hole bath mixer for deck mounting with diverter - Brushed Dark
Platinum

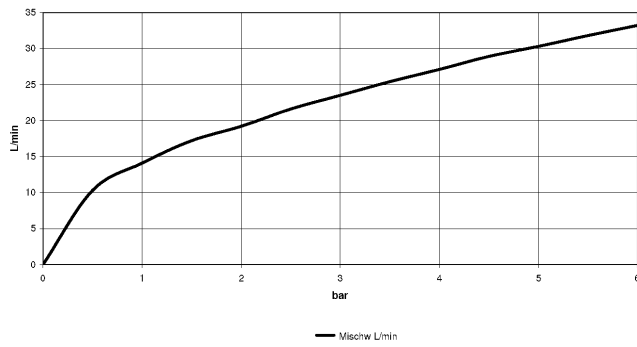
CL.1

ST 030 100 1705

ST 030 100 1705
mm [inches]



Flow rate chart

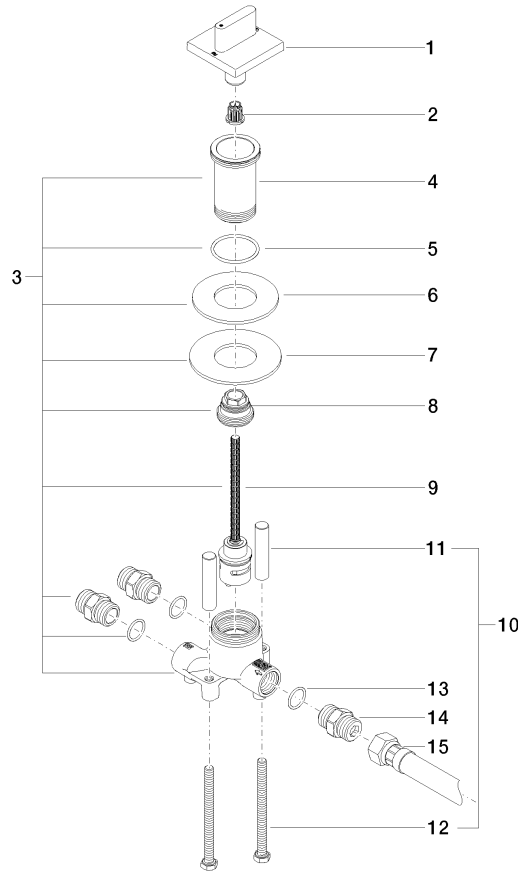


Certificates

LGA_18893.

IAPMO_4976 (4).

ST 030 100 1705



Spare parts list

No.	Item Number	Name	Quantity used	Delivery time
1	90 20 70 052 01-99	handle	1	30
2	90 12 12 002 00 90	fixing cap	1	2
3	04 17 01 198 00 90	diverter	1	60
4	09 30 01 209 90	connection	1	2
5	09 14 10 038 90	seal	1	2
6	09 14 05 059 90	seal	1	2
7	09 30 11 136 90	disc	1	2
8	09 24 04 223 90	nipple	1	2
9	90 90 03 159 00 90	diverter	1	2
10	04 30 30 153 00 90	fixing set	1	2
11	09 18 40 114 90	sleeve	2	2
12	09 30 30 153 90	screw	2	2
13	90 14 10 010 00 90	seal	3	2
14	90 24 03 168 00 90	nipple	3	2
15	12 503 970 90	High pressure hose 1/2" x 1/2" x 600 mm -	1	2